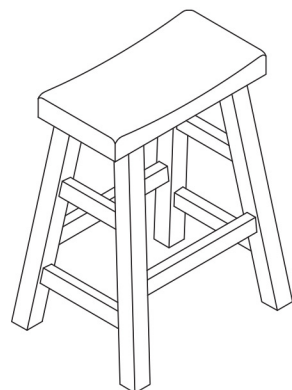


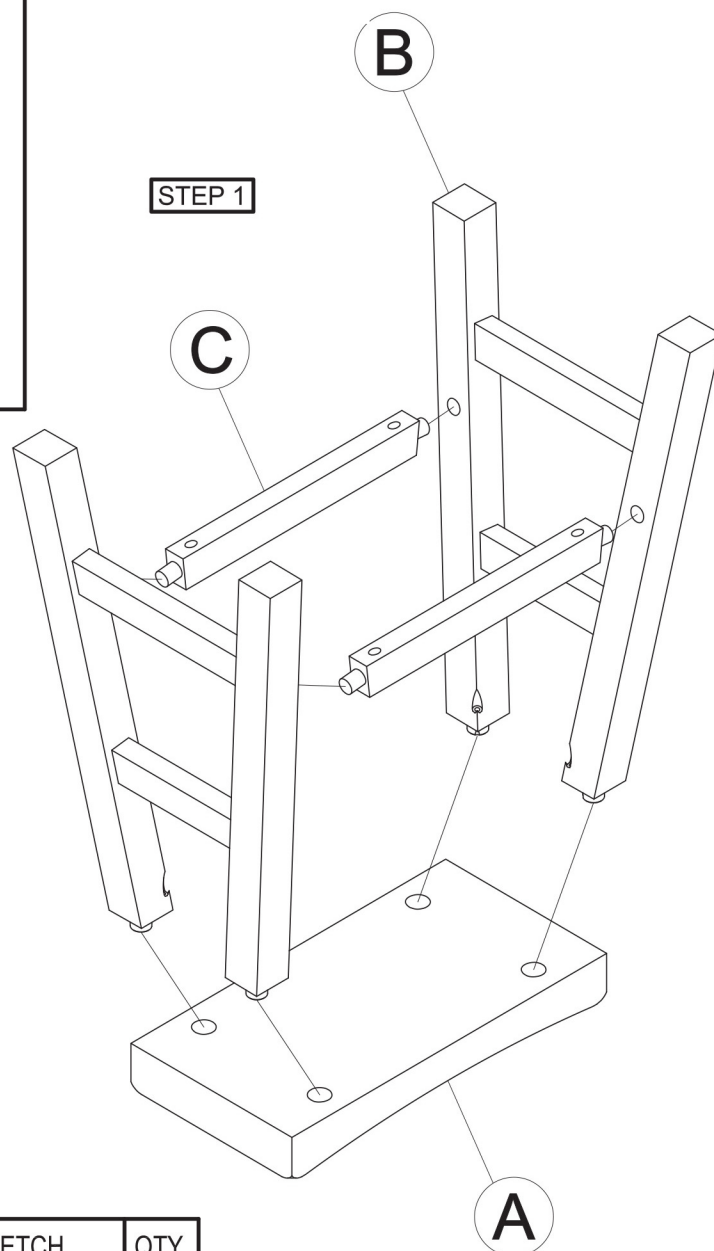


ASSEMBLY INSTRUCTIONS #1768-24 #1768-30

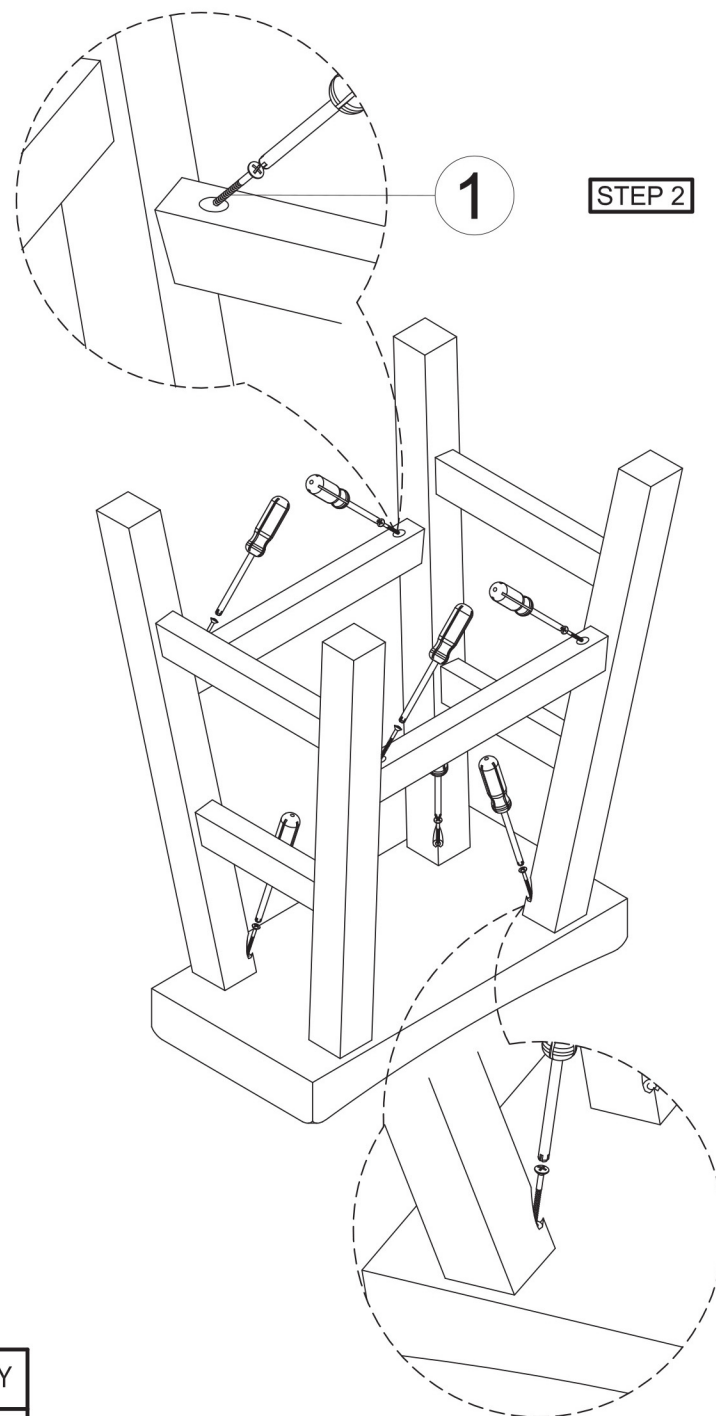
ASSEMBLY STEP




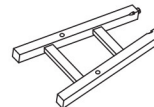

STEP 1





STEP 2



PART LIST

| NO | DESCRIPTION | SKETCH | QTY |
|----|-------------|---|-------|
| A | Seat |  | 1 pc |
| B | Leg |  | 2 pcs |
| C | Stretcher |  | 2 pcs |

HARDWARE LIST

| NO | SKETCH | HARDWARE | QTY |
|----|---|--|-------|
| 1 |  | Screw Ø8 x 2" | 8 pcs |
| |  | Phillip Headscrew driver (not included) | |